

Alpha[®] PSC-600 Pneumatic Stone Cutter/Grinder Parts List

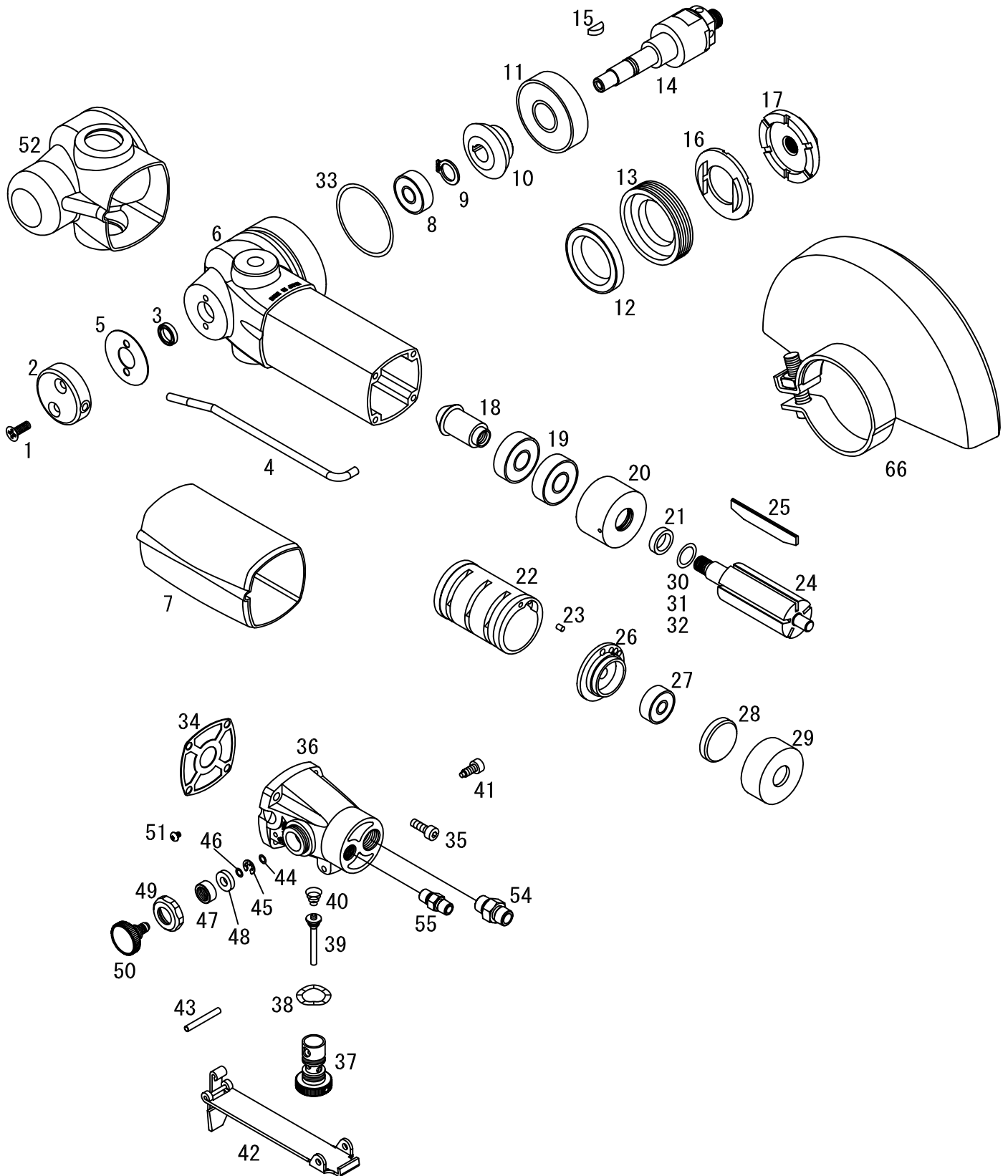


**Part No: PSC-600
Version 2**

 **Alpha Professional Tools**[®]

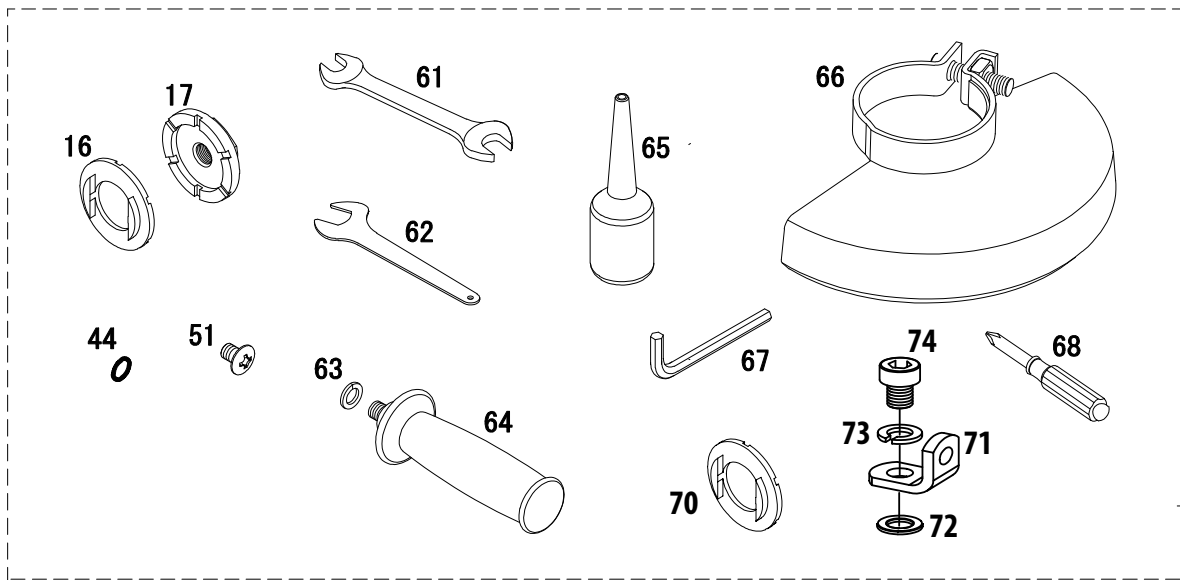
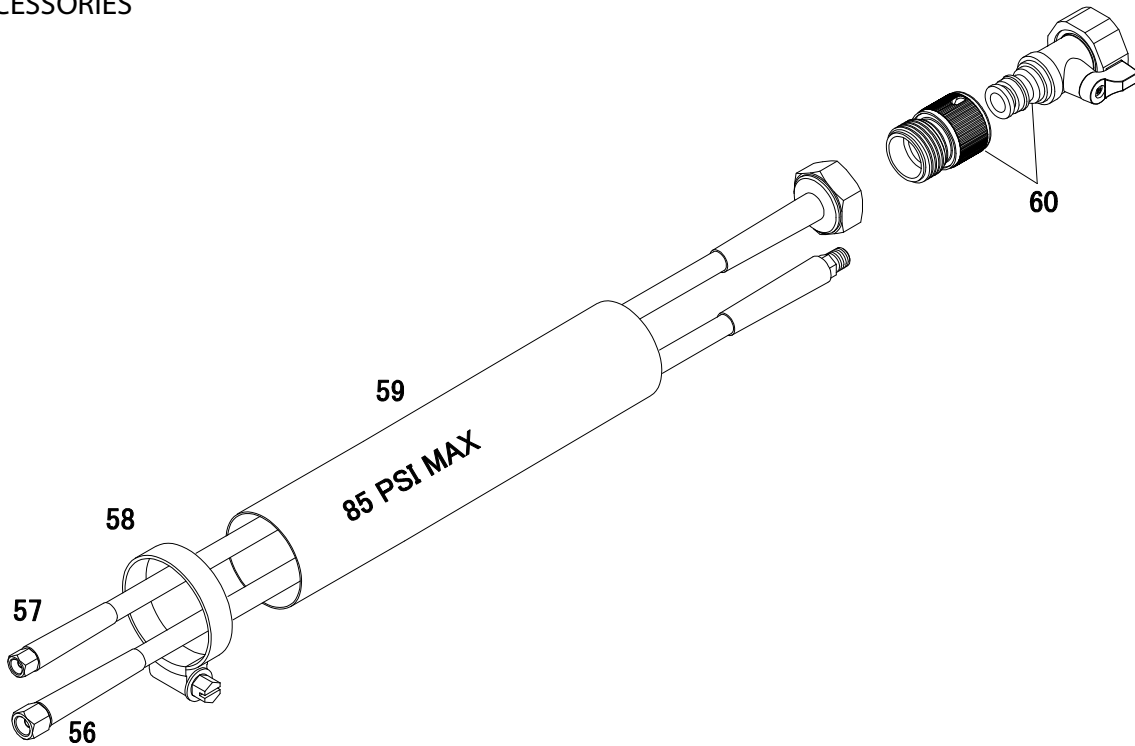
16 Park Dr Ste 9, Franklin, NJ 07416 • 800-648-7229 • Fax: 800-286-0114
www.alpha-tools.com

ALPHA® PSC-600 PNEUMATIC STONE CUTTER/GRINDER SCHEMATIC-1



ALPHA® PSC-600 PNEUMATIC STONE CUTTER/GRINDER SCHEMATIC-2

ACCESSORIES



ALPHA® PSC-600 PNEUMATIC STONE CUTTER/GRINDER PARTS LIST

DRAWING	PART NO.	DESCRIPTION	QTY
1	658-01	Flat Head Screw M4 x 12	2
2	658-127	Pipe-Joint Assembly	1
3	516-44	Oil Seal	1
4	658-09	W-Pipe	1
5	658-10	Head Packing	1
6	658-11	Body	1
7	658-12	Body Cover	1
8	516-20	Ball Bearing (608ZZ)	1
9	658-16	Snap Ring (S-10)	1
10	658-128	Spiral Bevel Gear	1
11	516-48	Ball Bearing (6302ZZ)	1
12	516-49	Oil Seal	1
13	516-50	44 Nut	1
14	658-129	Spindle for PSC-600	1
15	658-22	Woodruff Key	1
16	658-130	Inner Flange for Cutting	1
17	658-131	Outer Flange	1
18	658-132	Spiral Bevel Pinion	1
19	658-118	Ball Bearing (6000ZZ)	2
20	658-119	Front Bearing Case	1
21	658-120	Rotor Spacer	1
22	658-101	Cylinder with Spring Pin	1
23	658-31	Spring Pin	1
24	658-121	Rotor 5 Vane	1
25	658-103	Vanes (5 pc set)	1
26	516-26	R-Bearing Case	1
27	516-27	Ball Bearing (626ZZ)	1
28	516-28	Bearing Cap	1
29	658-122	Air Inlet Case	1
30	658-123	Shim (0.10mm)	1
31	658-124	Shim (0.03mm)	1
32	658-125	Shim (0.05mm)	1
33	658-84	Shim (0.20mm)	1
34	658-38	Body Gasket	1
35	658-145	Socket Head Screw M4 x 15	4
36	658-133	Endcase Assembly	1
37	658-134	Regulator Assembly	1

ALPHA® PSC-600 PNEUMATIC STONE CUTTER/GRINDER PARTS LIST

DRAWING	PART NO.	DESCRIPTION	QTY
38	658-135	Wave Washer	1
39	658-136	Air Valve	1
40	658-137	Valve Spring	1
41	658-138	Cap Bolt	1
42	658-139	Throttle Lever	1
43	658-140	Spring Pin	1
44	658-108	O-Ring	2
45	658-65	Retaining Ring Type-E	1
46	658-64	O-Ring	1
47	658-107	Nut M8	1
48	658-67	Washer	1
49	658-141	Nut M16	1
50	658-106	Water Valve	1
51	658-91	Screw (w/O-Ring Seal (1pc in tool + 1 spare))	2
52	658-111	Head Cover (Yellow)	1
54	1030-1021	Union fitting for air 1/4"	1
55	1030-1020	Union fitting for water 1/8"	1
56	1030-0002	Air Hose Assembly	1
57	1030-0003	Water Hose Assembly	1
58	1030-1104	Hose Clamp	1
59	658-95	Exhaust Hose	1
60	658-113	Water Quick Coector with Shut off Valve	1
61	1030-1103	Double Open End Wrench (19mm/22mm)	1
62	658-62	Single Open End Wrench (22mm)	1
63	658-13	Spring Washer M10	2
64	658-14	Side Handle	1
65	AIR-008	Rust Inhibitor Oil 8 oz.(237ml)	1
66	658-142	6" Safety Guard Assembly	1
67	658-143	Hex. Wrench 6mm	1
68	658-114	Phillips Screwdriver P1	1
69	658-149	Complete End Case Assembly	1
70	658-150	Inner Flange for Grinding	1
71	658-151	L-Bracket Assembly	1
72	658-152	Flat Washer	1
73	658-153	Spring Lock Washer SS (M10)	1
74	658-154	Screw SHC SS (M10x16)	1