

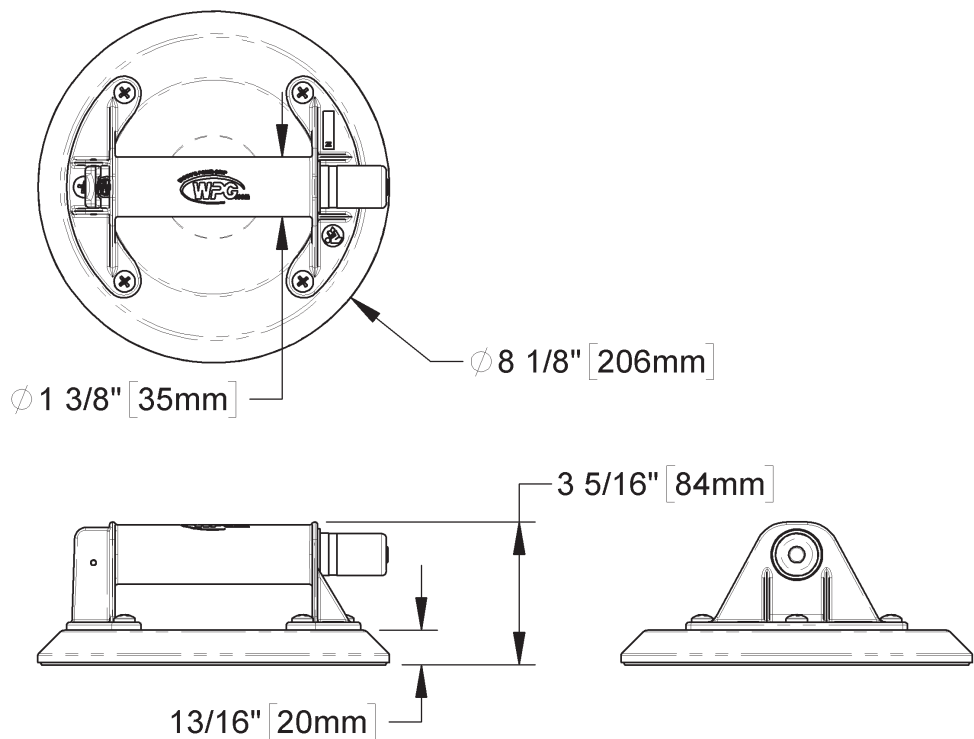


8" HAND CUP FOR FLAT SURFACES

MODEL: N4000

STOCK: 91400

This hand cup features a 125 lb [57 kg] capacity and an industrial-grade plastic handle, for light weight and rugged rust-resistance.



Maximum Load Capacity	125 lbs [57 kg]
Features	Fast attach and release Red-line indicator warns user of any significant vacuum loss Supplied with protective carrying case
Surface Texture	Smooth
Material Porosity	Nonporous
Surface Curvature	Flat
Maximum Elevation	5,000 ft [1,524 m]
Material and Ambient Temperature Range	10° F [-12° C] — 120° F [49° C]
Ideal Uses	Glass and other smooth, nonporous flat surfaces
Nominal Pad Diameter	8" [20 cm]
Pad Model	VPFS8L
Rubber Type	Standard
Handle Type	Industrial-Grade Plastic
Plunger Type	Industrial-Grade Plastic
Based on product information at time of publication. Environmental conditions can affect product performance and longevity; consult the product instructions on WPG.com or contact a Technical Sales Representative for more information.	

