
Alpha[®] 6" Pneumatic Stone Cutter Parts List



Part No: PSC-150
Version 3

 **Alpha Professional Tools**[®]

103 Bauer Drive, Oakland, NJ 07436 • 800-648-7229 • Fax: 800-286-0114
www.alpha-tools.com

ALPHA® PSC-150 6" PNEUMATIC STONE CUTTER SCHEMATIC

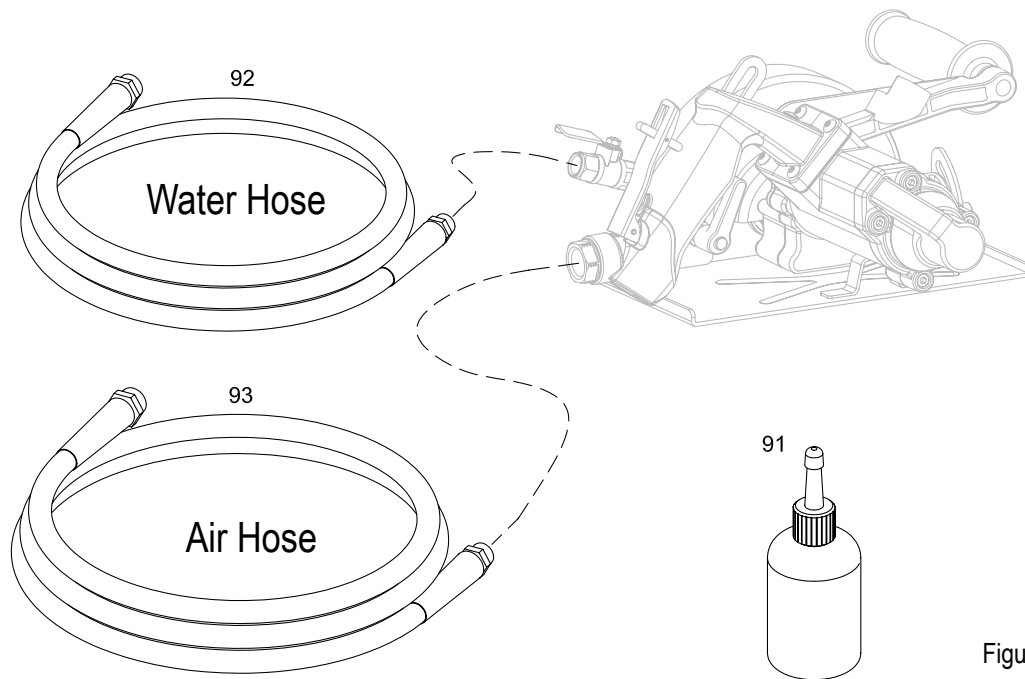
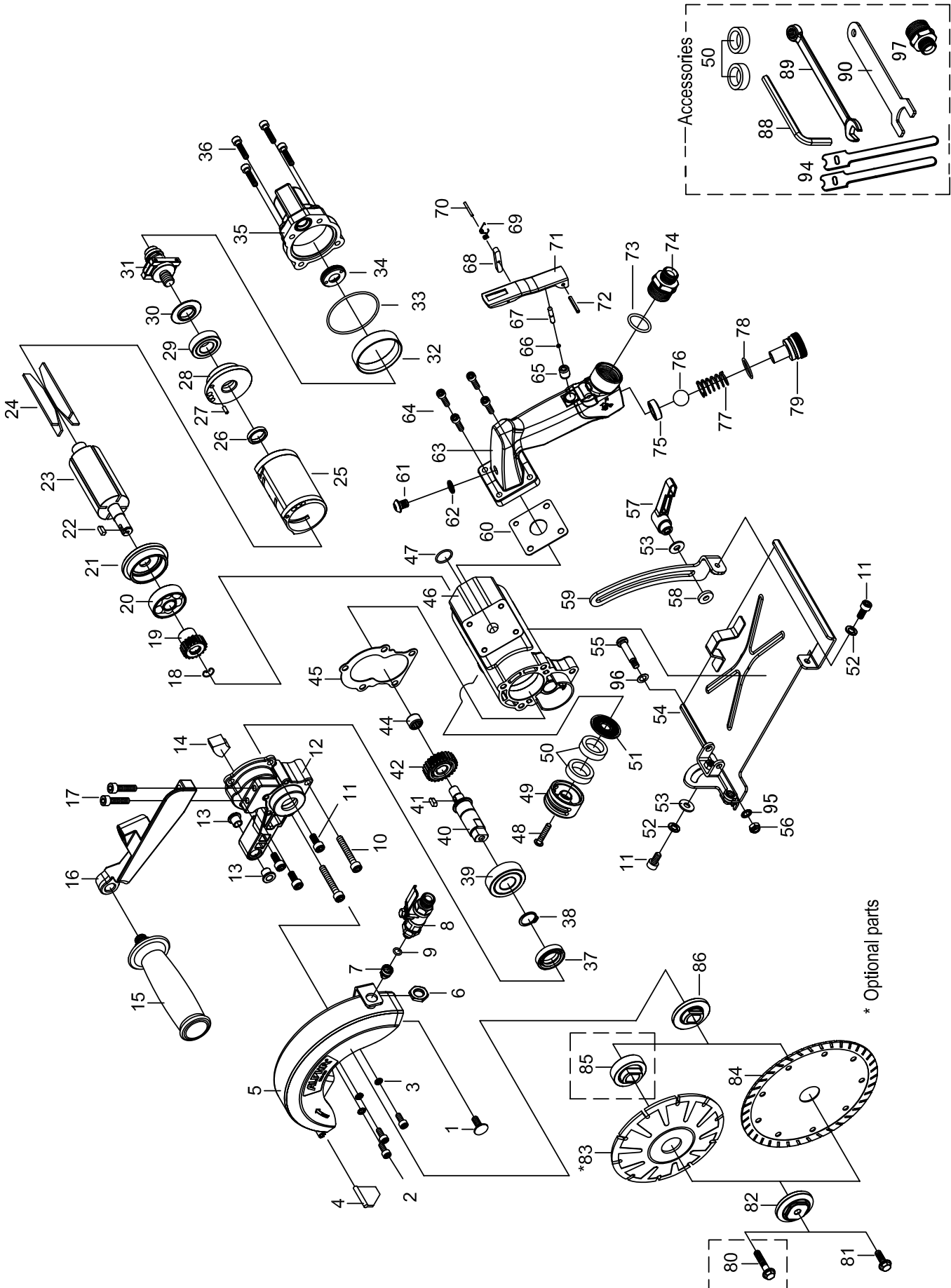


Figure 18

ADDITIONAL AVAILABLE SIZES FOR THE ALPHA® AIR AND WATER HOSE ASSEMBLY

PART NO.	LENGTH	DESCRIPTION
1030-0030	15ft./4.5m	Water Hose
1030-0031	15ft./4.5m	Air Hose
1030-0032	20ft./6.0m	Water Hose
1030-0033	20ft./6.0m	Air Hose
1030-0034	25ft./7.6m	Water Hose
1030-0035	25ft./7.6m	Air Hose
1030-0036	30ft./9.1m	Water Hose
1030-0037	30ft./9.1m	Air Hose
1030-0038	35ft./10.6m	Water Hose
1030-0039	35ft./10.6m	Air Hose
1030-0040	40ft./12.1m	Water Hose
1030-0041	40ft./12.1m	Air Hose

ALPHA® PSC-150 6" PNEUMATIC STONE CUTTER SCHEMATIC



ALPHA® PSC-150 6" PNEUMATIC STONE CUTTER PARTS LIST

DRAWING NO.	PART NO.	DESCRIPTION	QUANTITY
1	3001-0001	Carriage Bolt (M6x16)	1
2	3001-0002	Screw SHC (M5x12)	3
3	3001-0003	Lock Washer (M5)	3
4	3001-0004	Splash Guard Flap	1
5	3001-0005	6" Blade Guard	1
6	3001-0006	Nut	1
7	3001-0007	Spray Nozzle	1
8	3001-0008	Ball Valve (1/4"-18 NPSM)	1
9	3001-0009	O-Ring (M6x1.5)	1
10	3001-0010	Screw SHC (M6x40)	2
11	3001-0011	Screw SHC (M6x14)	5
12	3001-0093	Gear Case	1
13	3001-0094	Flange Sleeve Bearing	2
14	3001-0014	Oil Felt	1
15	3001-0015	Side Handle	1
16	3001-0016	Arm	1
17	3001-0017	Screw SHC (M6x25)	2
18	3001-0018	Snap Ring Internal (11mm)	1
19	3001-0019	Pinion Gear	1
20	3001-0020	Ball Bearing (6301)	1
21	3001-0021	Front End Plate	1
22	3001-0022	Key (4x10)	1
23	3001-0023	Rotor	1
24	3001-0024	Vane (4 pcs set)	1
25	3001-0025	Cylinder	1
26	3001-0026	Spacer	1
27	3001-0027	Spring Pin (M3x8)	1
28	3001-0028	End Plate	1
29	3001-0029	Ball Bearing (6002ZZ)	1
30	3001-0030	Washer	1
31	3001-0031	Governor Assembly	1
32	3001-0032	Air Guide Ring	1
33	3001-0033	O-Ring (50x1.5)	1
34	3001-0034	Bushing	1
35	3001-0035	Rear Cover	1
36	3001-0036	Screw (M5x22)	4
37	3001-0037	Oil Seal (UE 17307)	1

ALPHA® PSC-150 6" PNEUMATIC STONE CUTTER PARTS LIST

DRAWING NO.	PART NO.	DESCRIPTION	QUANTITY
38	3001-0038	Retaining Ring (STW-17)	1
39	3001-0039	Ball Bearing (6203ZZ)	1
40	3001-0040	Spindle	1
41	3001-0041	Key (4x10)	1
42	3001-0042	Gear	1
44	3001-0044	Needle Bearing (BA66)	1
45	3001-0045	Gasket	1
46	3001-0089	Motor Housing	1
47	3001-0047	O-Ring (15.5x1.5)	1
48	3001-0048	Screw Truss Head (M5x25)	1
49	3001-0049	Exhaust Deflector	1
50	3001-0050	Muffler (2 pcs installed / 2 pcs spare)	4
51	3001-0051	Air Filter	1
52	3001-0052	Spring Washer (M6)	2
53	3001-0053	Oversized Washer (M6) 6.8IDx16ODx2T	2
54	3001-0087	Base Plate	1
55	3001-0055	Shoulder Bolt	1
56	3001-0056	Nylon Lock Nut (M6)	1
57	3001-0057	Adjustment Handle	1
58a	3001-0058	Washer (1.5mm)	1
58b	3001-0085	Washer (1.0mm)	1
58c	3001-0086	Washer (2.0mm)	1
59	3001-0088	Positioning Plate	1
60	3001-0060	Gasket	1
61	3001-0061	Oil Screw (M8x10L)	1
62	3001-0062	Washer Brass (M8)	1
63	3001-0063	Handle	1
64	3001-0064	Screw SHC (M5x20)	4
65	3001-0065	Bushing	1
66	3001-0066	O-Ring (2x1)	1
67	3001-0067	Valve Stem	1
68	3001-0068	Safety Bar	1
69	3001-0069	Spring	1
70	3001-0070	Spring Pin (2x18L)	1
71	3001-0071	Throttle Lever	1
72	3001-0072	Spring Pin (3x20L)	1
73	3001-0073	O-Ring (19.8x2.4)	1
74	3001-0074	High Flow Air Inlet (3/8"-18 NPSM)	1

ALPHA® PSC-150 6” PNEUMATIC STONE CUTTER PARTS LIST

DRAWING NO.	PART NO.	DESCRIPTION	QUANTITY
75	3001-0075	Rubber Spacer	1
76	3001-0076	Steel Ball (5/8")	1
77	3001-0077	Spring	1
78	3001-0078	O-Ring (19.5x1.5)	1
79	3001-0079	Spring Seat	1
80	133463	Bolt (M6x30-Left)	1
81	133464	Bolt (M6x20-Left)	1
82	133419	Flange-2	1
83	Optional	5" / 6" Curve Cutting Blade / Optional Item	-
84	DEE006	Alpha® 6" Eclipse II	1
85	133432	Flange-3	1
86	133769	Flange-1	1
88	3001-0083	Hex. Wrench (5mm)	1
89	3001-0081	Combination Wrench (9mm)	1
90	3001-0082	Open End Wrench (22mm)	1
91	AIR-008	Rust Inhibitor Oil (8oz / 237ml)	1
92	1030-0030	Water Hose Assembly (15ft / 4.5m)	1
93	1030-0031	Air Hose Assembly (15ft / 4.5m)	1
94	1030-1120	Hook & Loop Strap (1/2" X 12")	2
95	3001-0091	Toothed Lock Washer (M6)	1
96	3001-0090	Washer	1
97	3001-0084	Reduced Flow Air Inlet	1