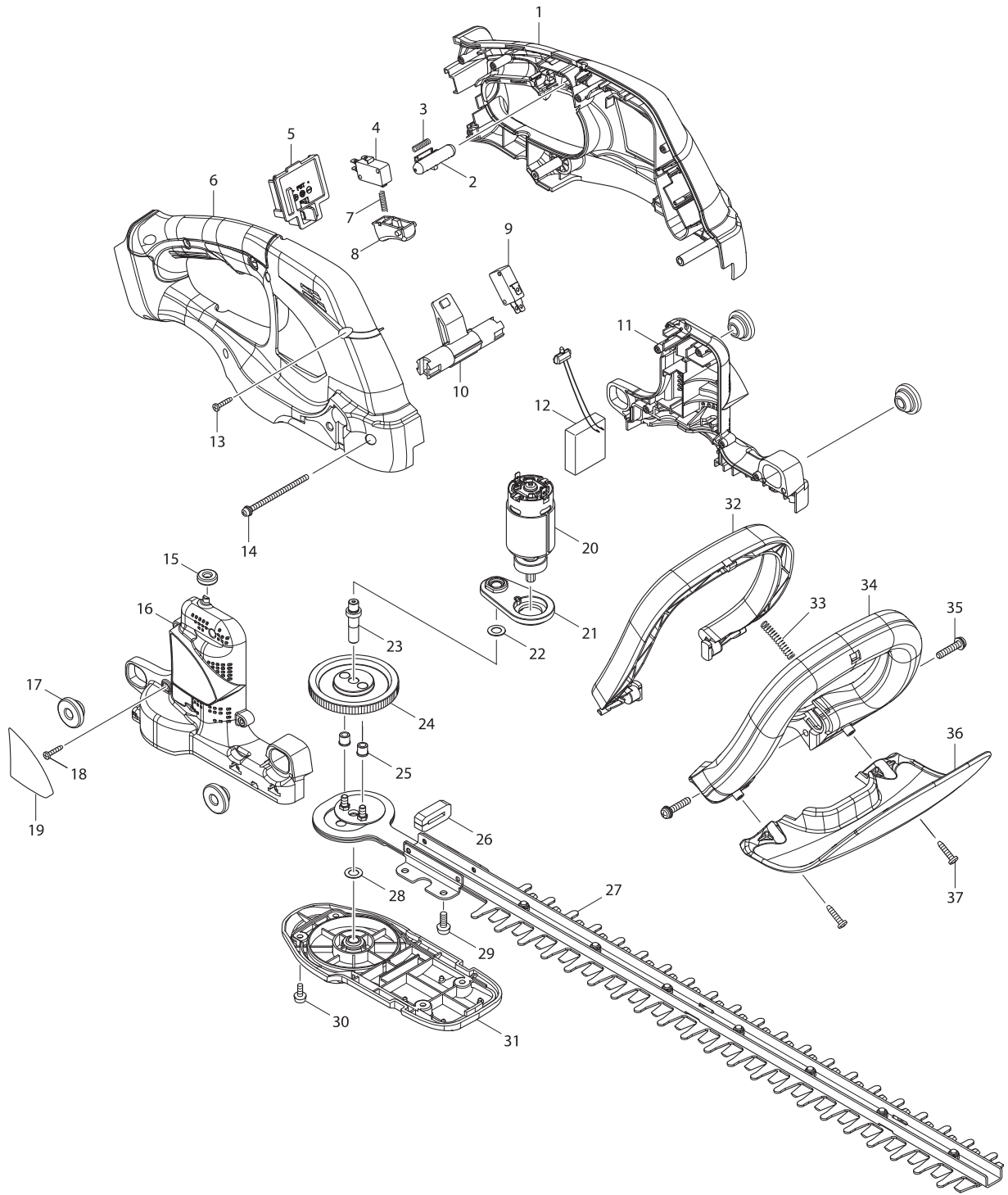




**XHU02**



Products with multiple versions are listed in subsiding order with the newest version on top not indented.

Section	Fig. No.	Part No.	Description	XHU02	Tech Bulletin	Notes
1	1	187286-4	HANDLE SET	1		INC 6
1	2	452438-9	LOCK OFF BUTTON	1		
1	3	231473-8	COMPRESSION SPRING 4	1		
1	4	651852-8	SWITCH V-15-1A5	1		
1	5	643852-2	TERMINAL	1		
1	6	187286-4	HANDLE SET	1		INC 1
1	7	231473-8	COMPRESSION SPRING 4	1		
1	8	417564-1	SWITCH LEVER	1		
1	9	651852-8	SWITCH V-15-1A5	1		
1	10	452681-0	SWITCH ARM	1		
1	11	187285-6	MOTOR HOUSING SET	1		INC 16
1	12	632A82-6	CONTROLLER UNIT	1		
1	13	266429-2	TAPPING SCREW 3X16	6		
1	14	911193-7	PAN HEAD SCREW M4X65	1		
1	15	424195-9	RUBBER RING 6	1		
1	16	187285-6	MOTOR HOUSING SET	1		INC 11
1	17	424394-3	RUBBER RING 8	4		
1	18	266429-2	TAPPING SCREW 3X16	5		
1	20	629930-2	DC MOTOR	1		
1	21	141211-9	BEARING BOX COMPLETE	1		
1	22	253215-0	FLAT WASHER 8	1		
1	23	326034-8	SPINDLE	1		
1	24	227281-3	SPUR GEAR 93	1		
1	25	262570-9	NYLON SLEEVE 5	2		
1	26	423417-4	DUST GUARD	1		
1	27	195846-8	SHEAR BLADE COMPLETE SET	1		
1		262570-9	NYLON SLEEVE 5	2		INC WITH FIG 27
1	28	253215-0	FLAT WASHER 8	1		
1	29	911218-7	PAN HEAD SCREW M5X14	4		
1	30	911113-1	PAN HEAD SCREW M4X10 WITH WR	4		
1	31	453317-4	UNDER COVER	1		
1	32	452678-9	SWITCH LEVER B	1		
1	33	234261-2	COMPRESSION SPRING 5	1		
1	34	452682-8	FRONT GRIP	1		
1	35	911243-8	PAN HEAD SCREW M5X25	2		

Products with multiple versions are listed in subsiding order with the newest version on top not indented.

Section	Fig. No.	Part No.	Description	XHU02	Tech Bulletin	Notes
1	36	142733-2	PROTECTOR COMPLETE	1		
1	37	265995-6	TAPPING SCREW 4X18	2		
1	A01	450490-1	BLADE COVER	1		NOT PICTURED